

ARCH 331. Assignment #5

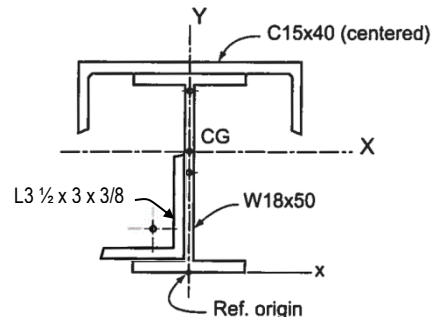
Date: 9/27/18, due 10/4/18

Pass-fail work

Problems: supplemental problems (5A, etc.) and from Onouye & Kane, Chapters 6 & 8

Notes: Problems marked with a * have been altered with respect to the problem stated in the text. Multiframing or other methods may be used for V & M diagrams and maximums.

(20%) 5A) A heavily loaded floor system uses a composite steel section as shown. A C15 x 40 channel section is attached to the top flange of the W18x50 and a 3 1/2 x 3 x 3/8 angle is attached with the long leg up at the lower left as shown. Determine the location of the centroid, and the I_x and I_y about the major centroidal axes using the cross-sectional properties given in the steel tables for standard rolled shapes (see Appendix). (centroid and moment of inertia)



*Also calculate the radius of gyration, r_x and r_y .

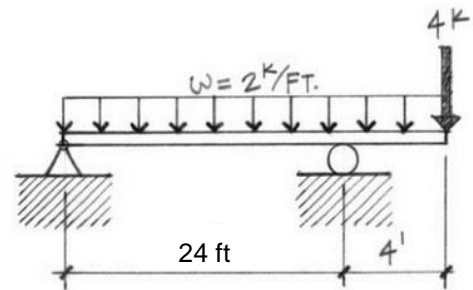
Partial answers to check with:

$\hat{x} = -0.0805 \text{ in}$, $\hat{y} = 11.99 \text{ in}$ and must be calculated using the table,
 $I_x = 1578.8 \text{ in}^4$, $I_y = 393.1 \text{ in}^4$, $r_x = 7.40 \text{ in}$, $r_y = 3.69 \text{ in}$

(10%) *8.18A Select the lightest W section steel beam based on the bending condition. Check $f_{v, \text{average}}$ for the beam selected.

$F_b = 22 \text{ ksi}$	}	A992	$F_b = 33 \text{ ksi}$
$F_v = 14.5 \text{ ksi}$		A36 Steel	$F_v = 20 \text{ ksi}$
(flexural and shear stress)			

*The length between supports has been changed to 24 ft.

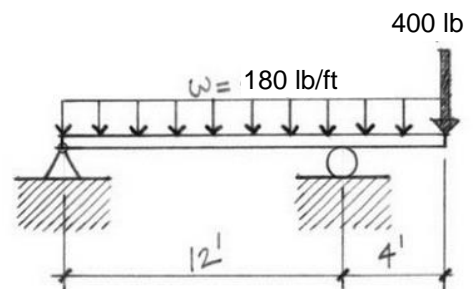


Partial answers to check with: $S_{req'd} \geq 46.7 \text{ in}^3$, $f_v = 5.8 \text{ ksi}$

(10%) *8.18B Select the lightest ~~W section steel~~ ^{sawn timber} beam based on the bending condition. Check $f_{v, \text{average}}$ for the beam selected.

$F_b = 22 \text{ ksi}$	}	A36 Steel
$F_v = 14.5 \text{ ksi}$		(flexural and shear stress)

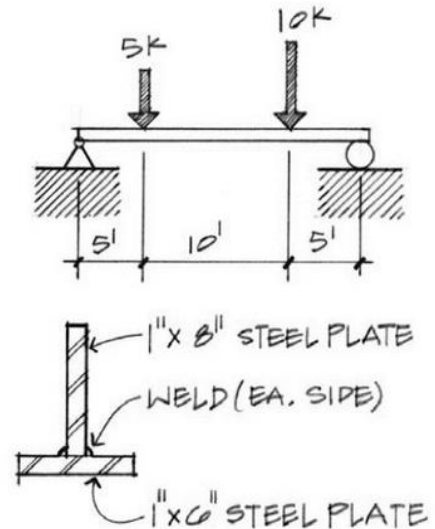
*The loads are changed to 180 lb/ft over the span and 400 lb at the right end. Assume Douglas fir-larch No. 2 ($F_b = 1450 \text{ psi}$, $F_v = 95 \text{ psi}$).



Partial answers to check with: $S_{req'd} \geq 25.2 \text{ in}^3$, $f_v = 118.5 \text{ psi}$

MORE NEXT PAGE

(30%) 8.11 Two steel plates (A572, $F_y = 50$ ksi) are welded together to form an inverted T-beam. Determine the maximum bending stress developed. Also determine the maximum shear stress at the neutral axis of the cross-section and at the intersection where the stem joins the flange.
 (section properties, flexural and shear stress)

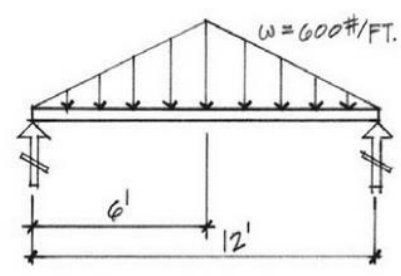
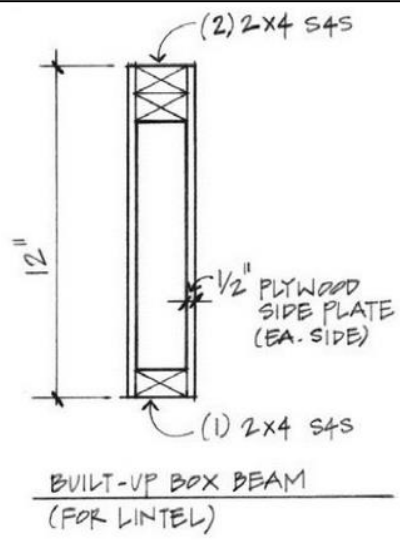
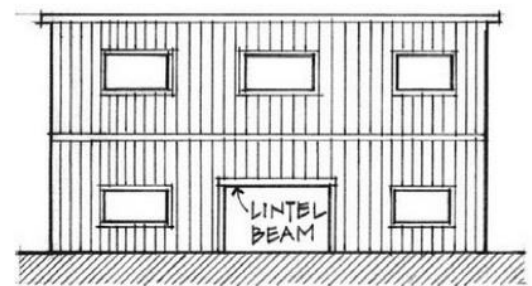


Partial answers to check with: $\hat{y} = 3.07$ in from bottom,

$I_x = 112.6 \text{ in.}^4$, $f_b = 27.6 \text{ ksi}$,
 $f_{v\text{-max}} = 1.37 \text{ ksi}$, ($Q_{na} = 17.6 \text{ in}^3$),
 $f_{v\text{-joint}} = 1.20 \text{ ksi}$ ($Q = 15.44 \text{ in}^3$).

(30%)* 8.14 A lintel beam 12 feet long is used in carrying the imposed loads over a doorway opening. Assuming that a built-up box beam is used with a 12 inch overall depth as shown, determine the maximum bending stress and shear stress developed.
 (section properties, flexural and shear stress)

Use the negative area to find the section properties. Also determine the required pitch spacing for the bottom 2x4 with 1 nail each side (2) with a shear capacity of 300 lb.



Partial answers to check with: $\hat{y} = 6.71$ in, $I_x = 496.2 \text{ in.}^4$, $f_b = 1168 \text{ psi}$, $f_v = 195 \text{ psi}$
 ($Q = 53.8 \text{ in}^3$, $p = 5.3$ in. ($Q = 31.3 \text{ in}^3$))

Note: The negative area method is quicker for finding I_x . There are beam diagram and formula equations for V and M.